

SEISMIC ENCLOSURE, 7' X 30" X 36"

Modified:08/21/2015

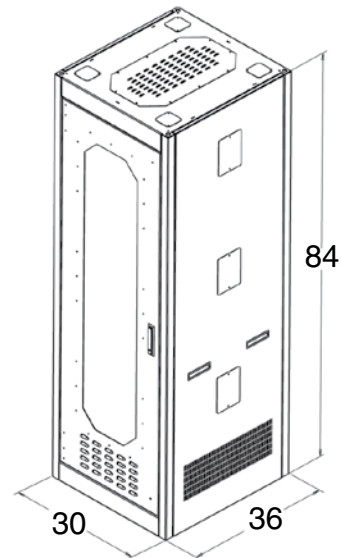
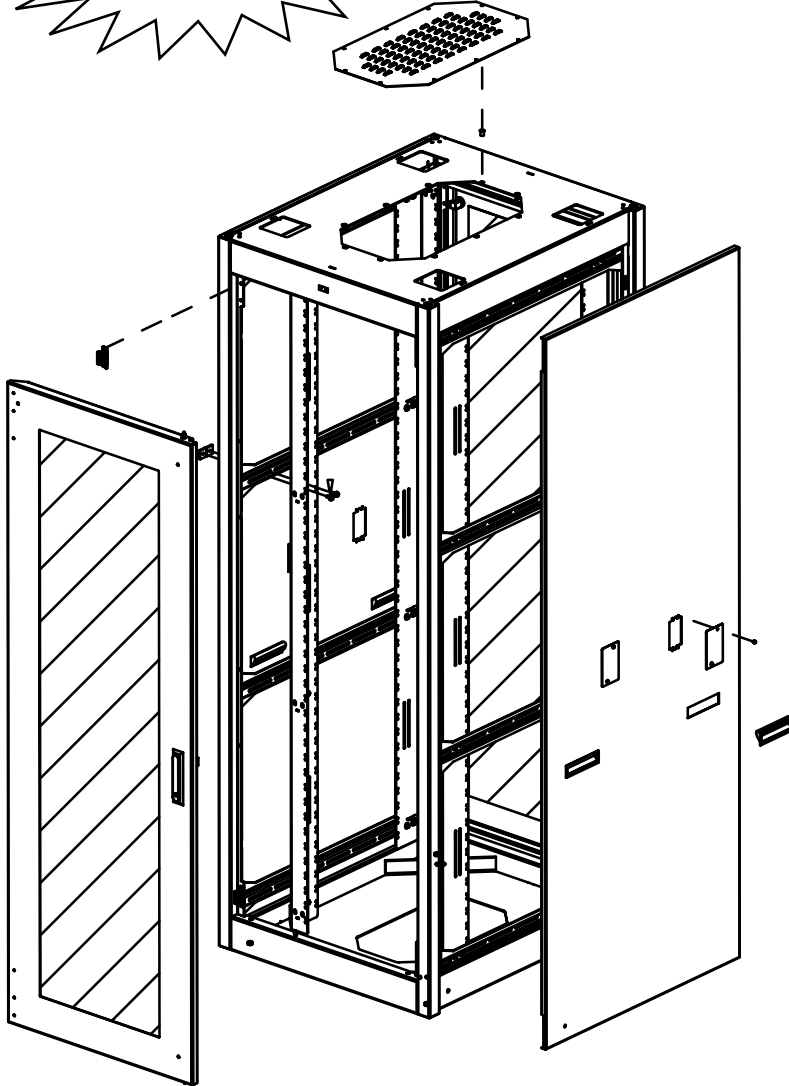
NEBS / GR-63 - core
Tested to 1150 lbs.
Zone 4

Materials:

- Frame : 11 gauge steel fully welded chassis
- Doors : 13 gauge steel Side
- Panels : 16 gauge steel
- Mounting Uprights : Zinc-plated 11 gauge steel

Features:

- Securable side panels with removable cross-connect openings. Easy to lift and remove.
- 3-point, keyed locks on front and rear doors. Available in multiple key-codes.
- Set of four (4) mounting uprights interchangeable to either 19" or 23" rack-mount orientation with cable management slots for cable ties. See below for mounting pattern options.
- Quick-release, spring-hinged doors for easy access for setup and maintenance. See below for door options.
- ¼"-20 grounding points located throughout enclosure.
- No side cross-bracing for quick and easy side access.
- Open base design for under-floor cable routing.
- Multiple fan options available.



S84	30	36	D	E	F	XX
s84: 84" high seismic cabinet					F: MOUNTING HOLE PATTERN 0 = 1" hole spacing 1 = 1¼"-½" EIA wide spacing 2 = 5/8"-5/8-1/2 EIA Universal	64 = Blue Wrinkle 45 = Black Wrinkle 44 = Gray
30" width						
36" deep					E : DOOR CONFIGURATION 0 = Solid front & rear doors with louvers and solid sides 1 = Perforated front & solid rear doors and solid sides 3 = Perforated rear door / perforated front door 8 = Plexiglass front door / solid rear door, no sides panels. 9 = No Doors (front / back) or sides/top panels. *** note: side panels can be ordered separately. Doors can only be ordered at original time of purchase and can not be added at later time.	
D : FAN OPTION 0 = No fan / louvered top panel 1 = Four (4) AC fans @ 408 CFM						