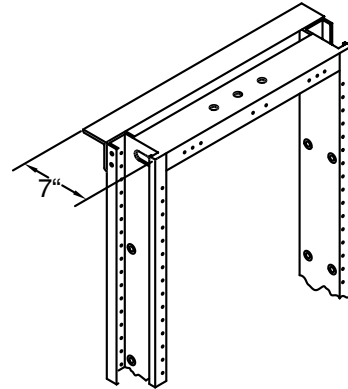
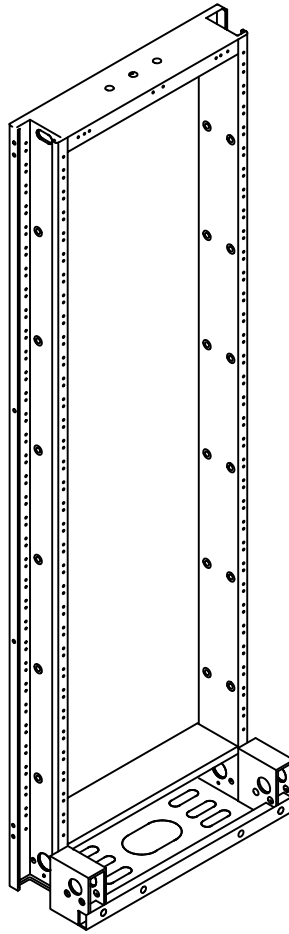
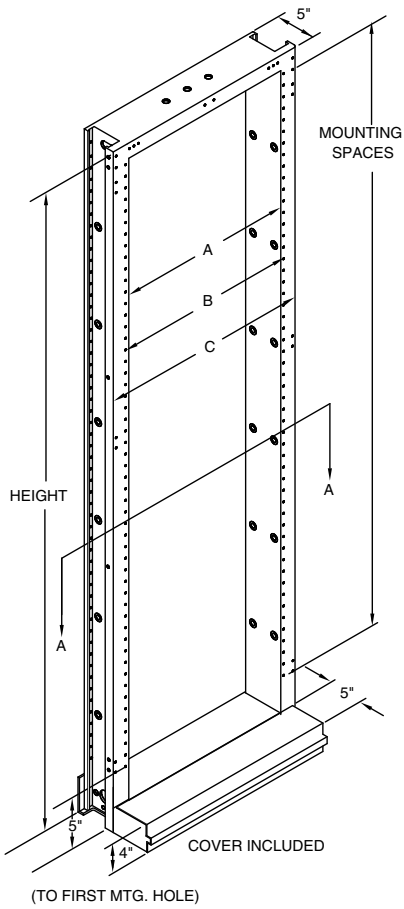
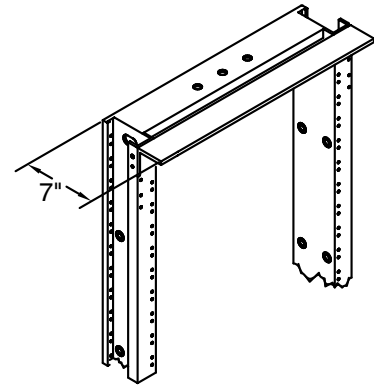


**SEISMIC NETWORK BAY**

Modified:09/22/2009



• TOP ANGLE ON OPEN snetbay

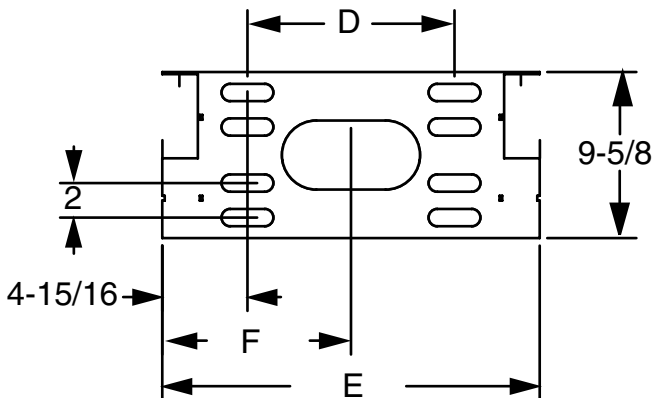


• TOP ANGLE ON CLOSED snetbay

- Closed Network Bay
- (Guard Box On Wide Flange)

- Open Network Bay
- (Guard Box On Narrow Flange)

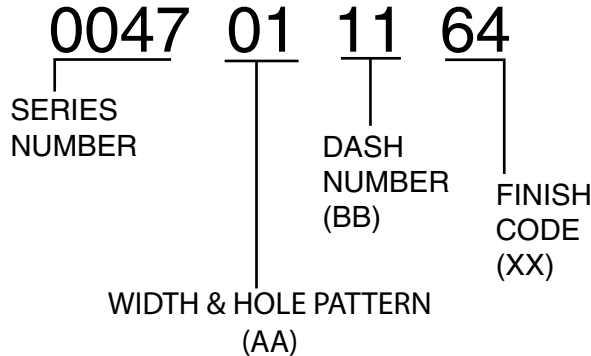
width	A	B	C	D	E	F
23"	21-1/2"	22-5/16"	25-15/16"	16"	25-7/8"	12-15/16"
19"	17-1/2"	18-5/16"	21-15/16"	12"	21-7/8"	10-15/16"



Mounting Panels	Height	Top Angle	2"	1-3/4"
	7'-0"	no	38	44
7'-0"	yes	38	43	
7'-6"	no	41	47	
8'-0"	yes	44	50	
9'-0"	yes	50	57	
11'-6"	yes	65	74	

• **Follow the steps below to complete your 10 character ordering number**

0047011164 • (part number below gives you a 7'-0" x 23" with 1" spacing with Top angle painted blue wrinkle).



**STEP 1** • Choose figure number for rack according to width, hole pattern and open or closed duct.

**STEP 2** • Choose dash number for rack according to height, top angle configuration.  
 • To order rack only choose dash number from table B.  
 • To order rack with seismic floor mounting kit, call your CSR --(919) 575-6426.

**STEP 3** • The standard finish codes for sufer is "64". Other finishes are available upon request.

<b>0047</b>	<b>AA</b>	<b>BB</b>	<b>XX</b>
<b>0047: SEISMIC NETWORK BAY</b>			<b>XX: FINISH CODE</b> 31 = GRAY 64 = BLUE
	<b>AA: NETWORK BAY RACK &amp; EQUIPMENT MOUNTING WIDTH</b> 01 = 23" wide; 1" hole pattern; closed duct 02 = 23" wide; 1-3/4" hole pattern; closed duct 03 = 23" wide; 1" hole pattern; open duct 04 = 23" wide; 1-3/4" hole pattern; open duct 05 = 19" wide; 1" hole pattern; closed duct 06 = 19" wide; 1-3/4" hole pattern; closed duct 07 = 19" wide; 1" hole pattern; open duct 08 = 19" wide; 1-3/4" hole pattern; open duct	<b>BB: RACK HEIGHT &amp; TOP ANGLE</b> 01 = 7'- 0" HEIGHT; 11 = 7'- 0" HEIGHT; WITH TOP ANGLE 02 = 7'- 6" HEIGHT; 03 = 8'- 0" HEIGHT; WITH TOP ANGLE 04 = 9'- 0" HEIGHT; WITH TOP ANGLE 05 = 11'- 6" HEIGHT; WITH TOP ANGLE	

**Notes:**

- Meets the earthquake criteria (seismic Zone 4) of Telcordia document . GR-63-core, issue 1, sections 4.4 And 5.4, When loaded with 500 pounds to simulate rack mounted equipment.
- To order equipment rack only: choose fig. Number from table a in step 1 and the table b in step 2.
- Front and rear of uprights tapped for 12-24 screws.
- Cable tie mount kit (p/n 2103180000) is included; separately order cable tie bar kit (fig. 004119) As required. Cable ties (nylon, plastic, etc.) To be customer provided.
- Rack must be secured to concrete floor using seismic floor mounting kit (fig. 004615 Or equivalent). Installing this rack in any other manner may impact load . capacity and seismic performance.
- Determine the equipment rack and seismic floor mounting kit desired. The combination of these two determines the dash number from table c in step 2.
- Refer to fig. 004615 For additional detail.